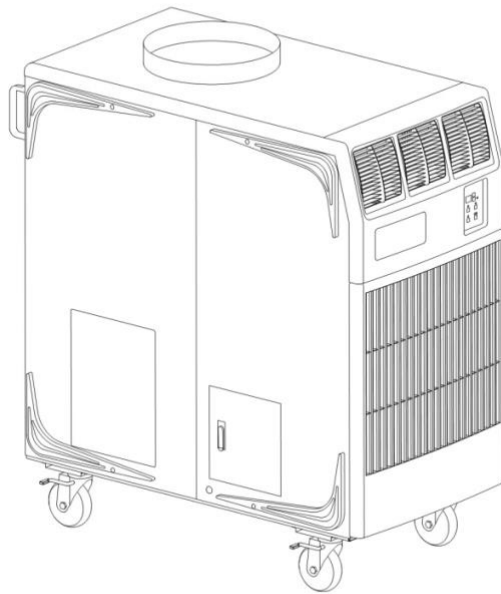




OPERATION MANUAL

CT-60



READ THIS MANUAL CAREFULLY FOR INSTRUCTIONS ON CORRECT
INSTALLATION AND USAGE, AND READ ALL SAFEGUARDS

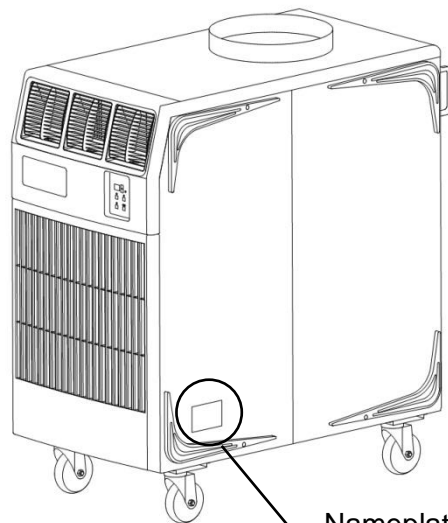
PORTABLE SPOT AIR CONDITIONER

SERIAL NUMBER LOCATION AND IDENTIFICATION

The serial number and name plate can be located near the lower right side of the unit.

Nameplate Label

Power	AC230V/60Hz	
Cooling Capacity	17000W	
air Volume	High	Low
Cold Air Flow	1650CFM	1150CFM
Hot Air Flow	3535CFM	
Rated Current	36A	34A
Max Current	42A	
Power Consumption	8160W	7700W
Max Power Consumption	9500W	
Compressor	Fully Enclosed Rotary	
Refrigerant	R-410A	
Refrigerant Capacity	3500g(7.71Lb)	
Discharge Pressure	3.2MPa	
Suction Pressure	0.95MPa	
Max Operating pressure	4.0MPa	
Environment Conditions	18°C~40°C(64°F~104°F)	
Dimensions	29''W x 54''D x 58''H	
Weight	260Kg(573.2Lb)	



Nameplate Label Position
Serial Number

Congratulations on your purchase of a ClimaTemp Commercial Portable spot air conditioner.

Exclusive engineered features only from ClimaTemp.

- **Slim design to fit through a standard doorway.**
- **Efficient 2 speed evaporator airflow.**
- **Design Patent- protected metal condenser coil decorative cover overlay with slide out filters.**
- **QuickMove Condenser and Evaporator filters. For quick effortless cleaning.**
- **Stylish and functional side bump guards to protect the unit from dents and scratches.**
- **Rear power cord pocket for storing power cord.**

Features:

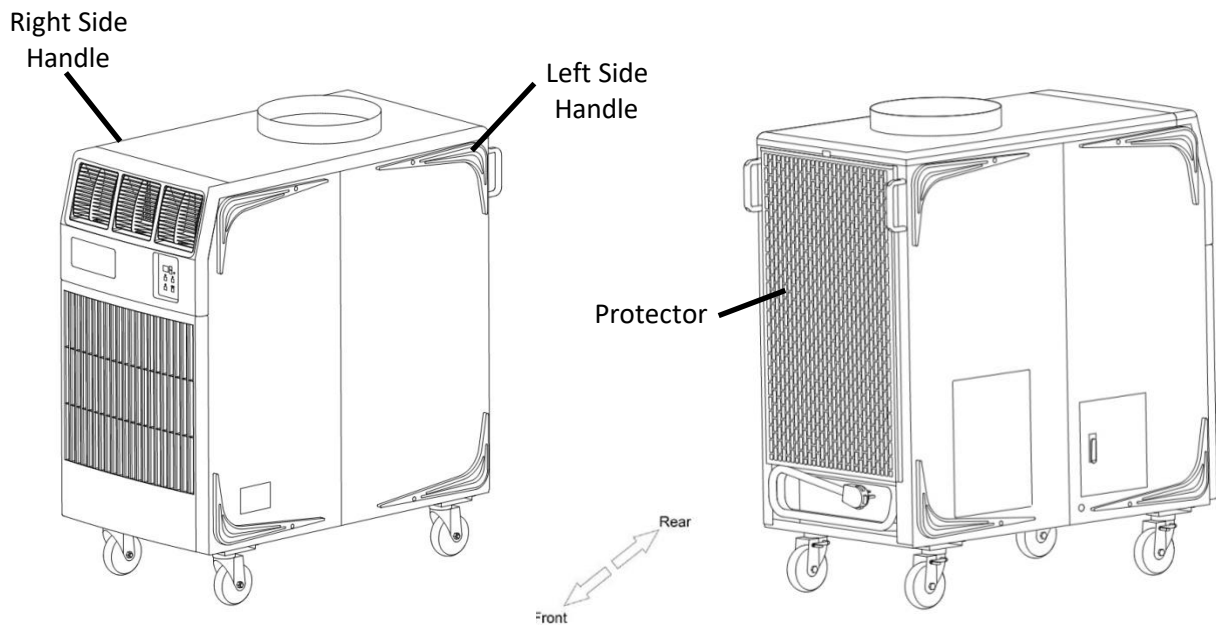
- **Provides 60,000 Btu/h of cold air... maximum spot cooling to quickly cool any environment.**
- **LED Controller.**
- **Operates on standard 208/230V power.**
- **Built in Beckett Brand Condensate pump with overflow shutdown and alarm.**
- **Diagnostic codes for easy troubleshooting**
- **Automatic Restart if power is lost.**
- **No costly installation necessary. Roll it to anywhere.**
- **Provides cooling down to 64°F ambient.**
- **Wide operating range from 64°F to 104°F.**
- **Built rugged for everyday use and designed for the rental industry.**
- **Classic design for a great look in all commercial applications.**
- **High quality heavy duty locking castors for effortless movement.**

INVENTORY

After unpacking your ClimaTemp Portable spot air conditioner, please check to make sure you have the following items:

1. CT-60 Portable spot air conditioner
2. Operation Manual

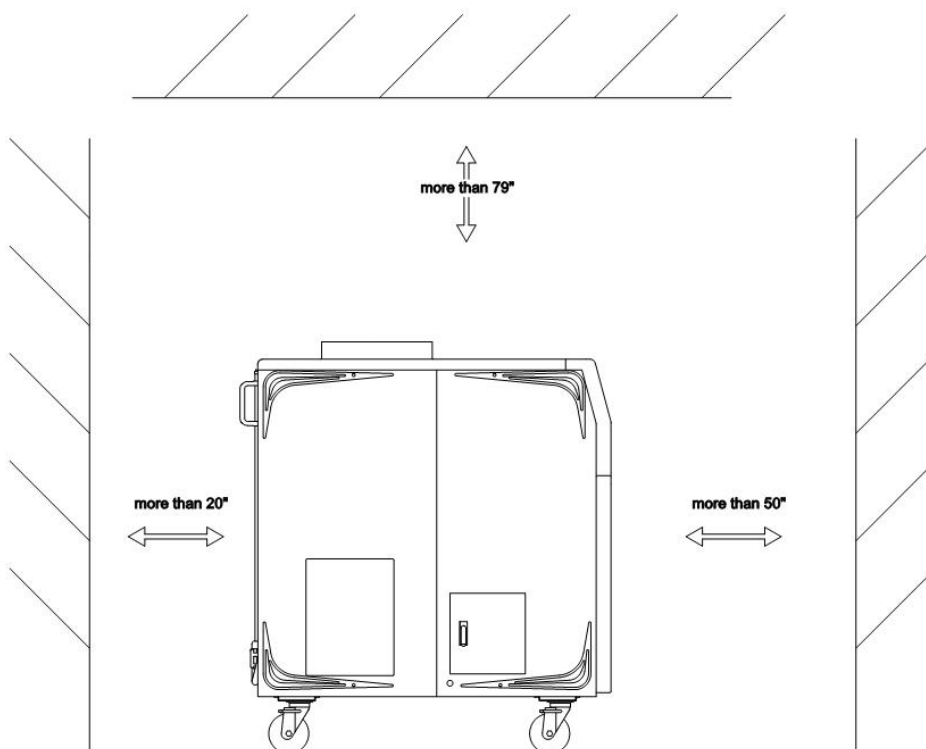
Note: If any of these items were not included in the box or appear damaged, please contact your ClimaTemp Portable spot air conditioner reseller for replacement.



INSTALLATION & GENERAL SAFETY INFORMATION 

- Do not use the unit at conditions above 104 °F (40°C) or below 64 °F (18°C).
- Unit Designed for indoor usage only. Do not submerge or spray water on the spot cooler. This may cause fire, electric shock or malfunction.
- Do not place fingers, hand or objects into the air outlet or inlet.
- Do not use in harsh environments containing corrosive gas or vapors. This will deteriorate and damage components and electronics resulting in shock, fire, and leaks.
- Use 208/230V-60hz, 1Phase power supply only. Securely plug into grounded 50amp outlet.
- Do not use any type of extension cable which may cause a risk of fire or electric shock.
- Do not bend or kink power cable. Damage to power cord can cause electric shock or injury.
- Do not place anything on the top of the machine. Do not stand or place hands or fingers inside of the unit while in operation.
- Install unit on smooth level ground. Lock the castors breaks to minimize rolling and movement.
- Always power off unit by the control panel, do not turn off by removing plug from power source.
- Condenser exhaust should always be ducted to the exterior or outside for maximum cooling.
- Do not pinch, minimize or constrict the duct size of the exhaust (16") as this may cause then unit to malfunction or damage to the unit.

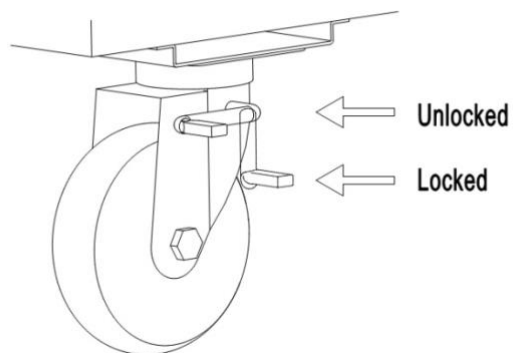
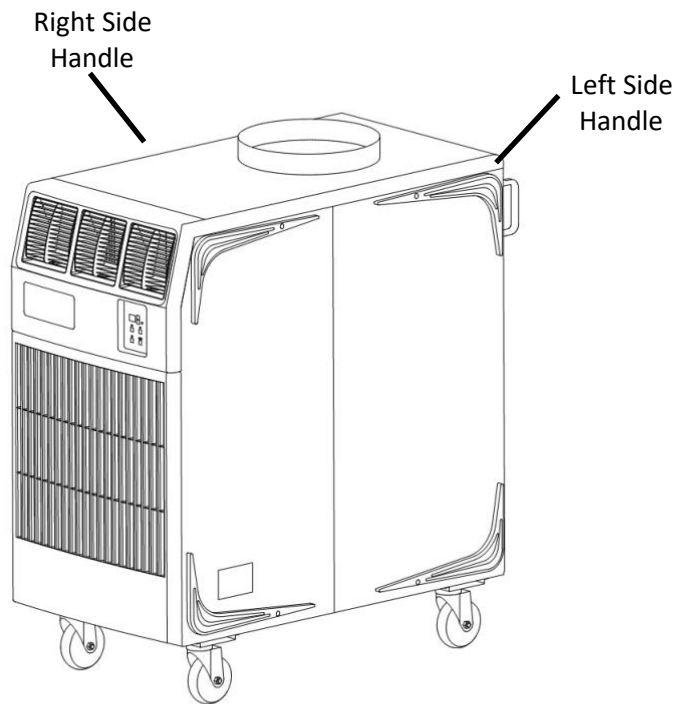
When in operation, the front and back of the machine should be more than 20" from the wall or other barrier. The cold air exhaust should be at least 50" away from any barrier and hot air exhaust should be more than 79" from roof or barrier.



INSTALLATION (cont.)

Moving the Unit

Unlock the casters and push the Portable spot air conditioner unit using the side handles to a flat, level surface and set the casters to the LOCKED position.



INSTALLATION (cont.)

Plugging in the Unit

1. Check the prongs and surface of the power cord plug for dust/dirt. If dust and/or dirt are present, wipe off with a clean, dry cloth.
2. Check the power cord, plug and prongs for damage or excess play. If any damage or excess play is found, contact ClimaTemp Portables or a qualified technician for repair.

 **WARNING:**

If the power cord or plug is damaged, replacement should only be performed by qualified electrical personnel.

CAUTION: The power source should be a dedicated single outlet circuit with UL listed short-circuit and ground fault protective breaker. Do not share the AC outlet with any other instrument or equipment. The minimum power supply rating and the maximum fuse size for each corresponding model are listed below.

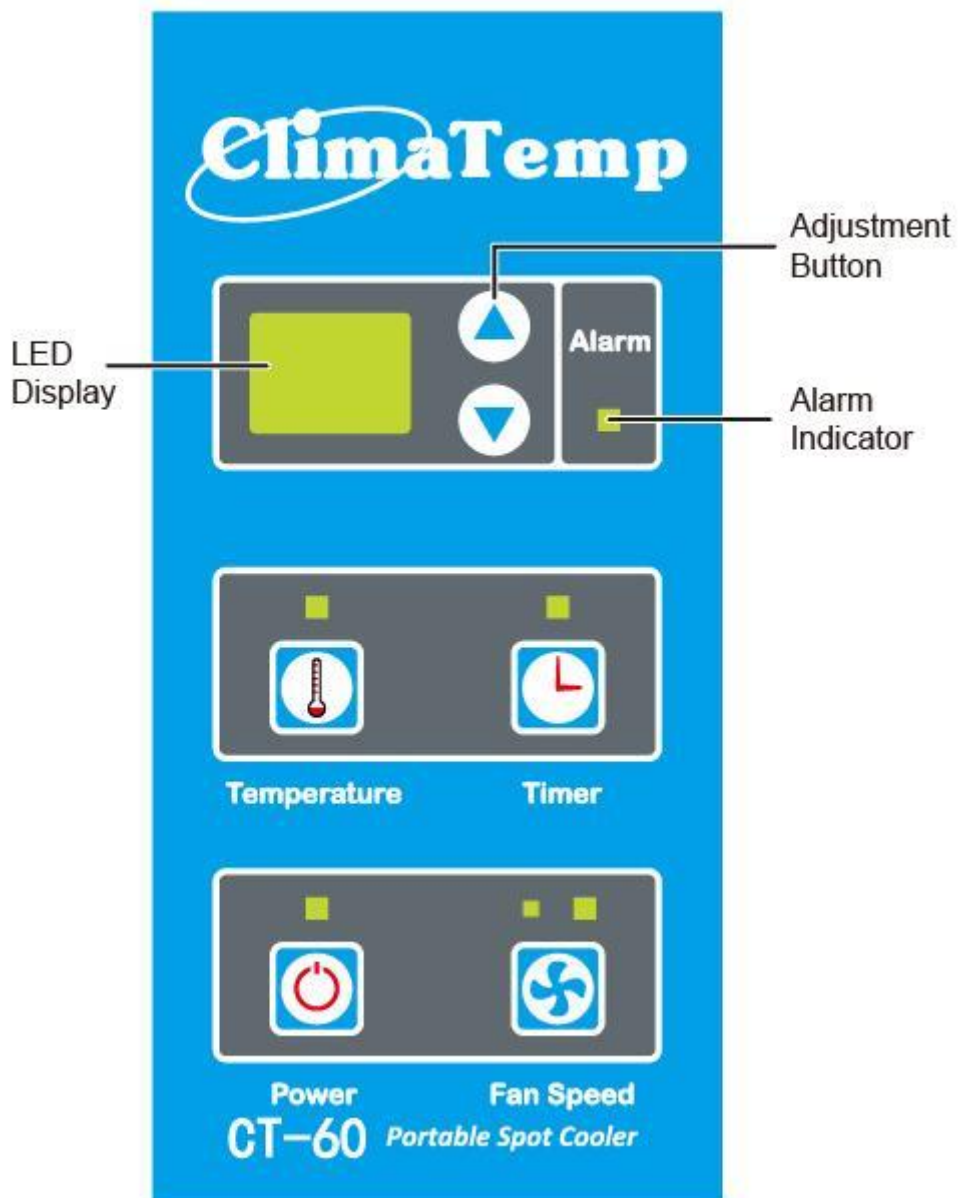


MODEL	MINIMUM POWER SUPPLY RATING	RECOMMENDED FUSE SIZE
CT-60	208/230V, single phase,60Hz,50A	50A maximum

OPERATION

Control Panel

Before operating the unit, it is important to familiarize yourself with the basic controls located on the control panel.



OPERATION (cont.)**Operating Method****1. Power Switch:**

After plugging into power, the power switch LED indicator will illuminate, press the POWER button to turn on and turn off the unit.

2. Air volume selection:

Press Fan Speed to select the high or low air volume.

3. Fahrenheit and Celsius Temperature setting

Procedure: Press and hold the Fan Speed button while plugging the unit into the power supply; once the digital display shows CF, release the Fan Speed button. If the current setting is in Celsius, the indicator will display °C. If the current setting is in Fahrenheit, the indicator will display F. Press the temperature button to change to C or press the timer button to change to F. Store the settings by pressing the Fan Speed button.

4. Temperature setting

Press the temperature button, the temperature button will start to blink. Press the up and down adjustment button on the display to set the temperature you desire. Once selected wait 15 seconds and your preferred temperature will be set. The display will show the temperature of the environment (as default). The range is 18°C~35°C (64F~95F). When the environment temperature is higher than the setting temperature, the compressor will engage, producing cold air. When the environment temperature is lower than the setting temperature, the compressor will disengage and shut off.

5. Fan Only Mode

To operate in fan mode, press the temperature UP button to its highest setting (95). This will operate the unit in fan mode only.

6. Time setting

Press timer button, the timer LED turns on, temperature light will turn off, the display will show the time our unit will turn off (12 hours), press up and down button to change the time (1-12 hours), 3 seconds later the display will show the temperature of the environment again, the temperature light will turn on.

7. Alarm indicator/unit error

When the unit detects a condensate pump malfunction, or an overcurrent, overheat, or other trouble is detected by the unit, the alarm indicator will turn on. When the unit stops working, LED display will show the error code.

LED Display Error Codes:

Code	Description	Reason
CO	Compressor Over-current Protection	Surrounding Temperature too high. Hot air exhaust is obstructed. Input voltage is too high or too low. Compressor problem. Relay problem.
P	Pressure too high in cooling system	Surrounding Temperature too high. Hot air exhaust is obstructed. Surrounding Temperature to low.
tc	Evaporator Frost Protection	Cold air exhaust system is obstructed
FL	Water level warning/Pump failure	Check Pump
t1	Inlet air sensor problem	Connector problem or sensor damaged
t3	Evaporator temperature sensor problem	Connector problem or sensor damaged

Condensate Pump

The CT-60 is equipped with a built-in condensate pump. The pump will eliminate the need for emptying out a drain tank.

General Pump information and Troubleshoot

During COOL mode, condensate water accumulates in the condensate pump. When the pump reservoir becomes full, the pump will engage and discharge the condensate.


- Ensure condensate line is free of kinks. Clogs in the condensate line will cause a malfunction and property damage due to leaks.
- If an audible chirping sound can be heard and LED displays “FL”, the unit will stop operation.
- After turning off the power and breaker to the unit, remove any dirt or debris inside the pump and check the pump for any blockages.



When performing maintenance or troubleshooting of the pump, stop the operation of the unit and turn off the breaker to avoid possible electric shock or injury.

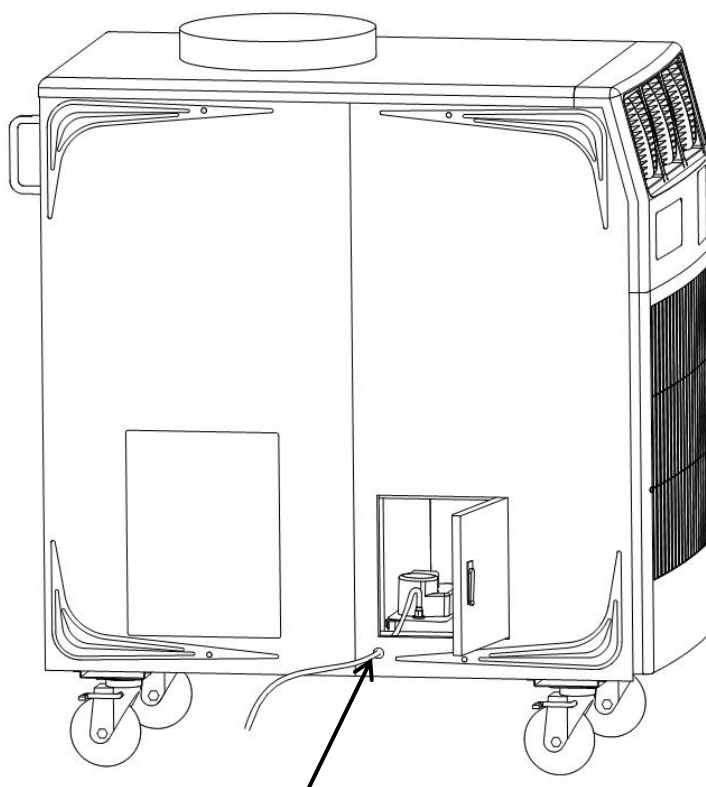
Hose Installation

Attach condensate line to pump by accessing the pump door located on the lower left side of the unit. When hanging hose from the ceiling make sure not to exceed 20' vertically. Run the hose at a downward slope from its highest point. Always attach condensate line to pump with a secure hose clamp.

 **Condensate pump lift max height is 20 feet. Run the hose downward at ¼" per foot from its highest point. Pump may malfunction and cause property damage from leaks if not properly installed.**

Testing of Condensate Pump

1. Turn unit on.
2. Pour water into the inlet hole on the condensate pump reservoir.
3. Make sure pump is running by checking the condensate outlet line for water drainage.
4. Reinsert the inlet hose into the inlet hose of the condensate pump.



Condensate line access hole

DAILY INSPECTION & MAINTENANCE

Checking the Condensate Pump

1. Open the condensate pump access door.
2. Confirm pump is level.
3. Confirm condensate line is attached to the pump securely by a clamp.
4. Make sure there are no kinks in condensate line.
5. Do not exceed 16' height with condensate line.

Clean the Air Filters

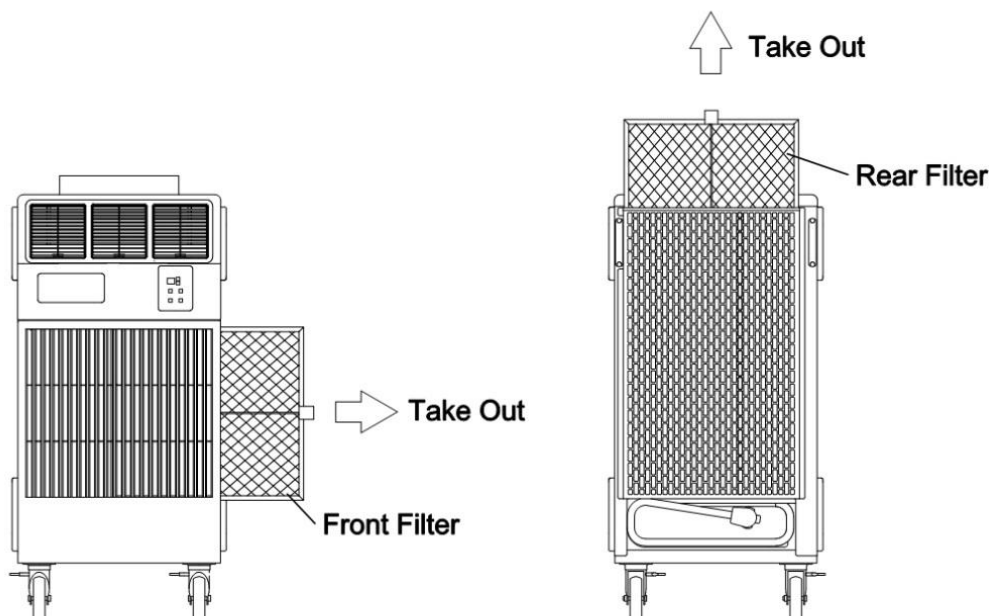
Clean the air filters once a week. If the unit is used in a dusty environment, more frequent cleaning may be required. A dirty filter can reduce air output resulting in a decrease in the cooling capacity and damage to the compressor and components.

Filter Removal Method

1. Turn the unit off by pressing the Power button.
2. Remove the two air filters.

Note: To remove the front evaporator filter, slide the filter by pulling the filter out of the machine's front evaporator panel. To replace the filter slide filter back into evaporator panel.

To remove the rear condenser filter, pull filter up and out of the condenser frame. To replace filter, slide filter back into condenser frame with tab facing up.



Filter Cleaning Method

- 1. Remove filters. Dust, dirt and particulate can be removed from the filter with a vacuum cleaner, or rinse in cold or lukewarm water. If the element is extremely dirty, wash with a neutral detergent.**
- 2. After the element has been cleaned, rinse with clean running water, allow to dry, then reinstall filters into unit.**

End of Season Maintenance.

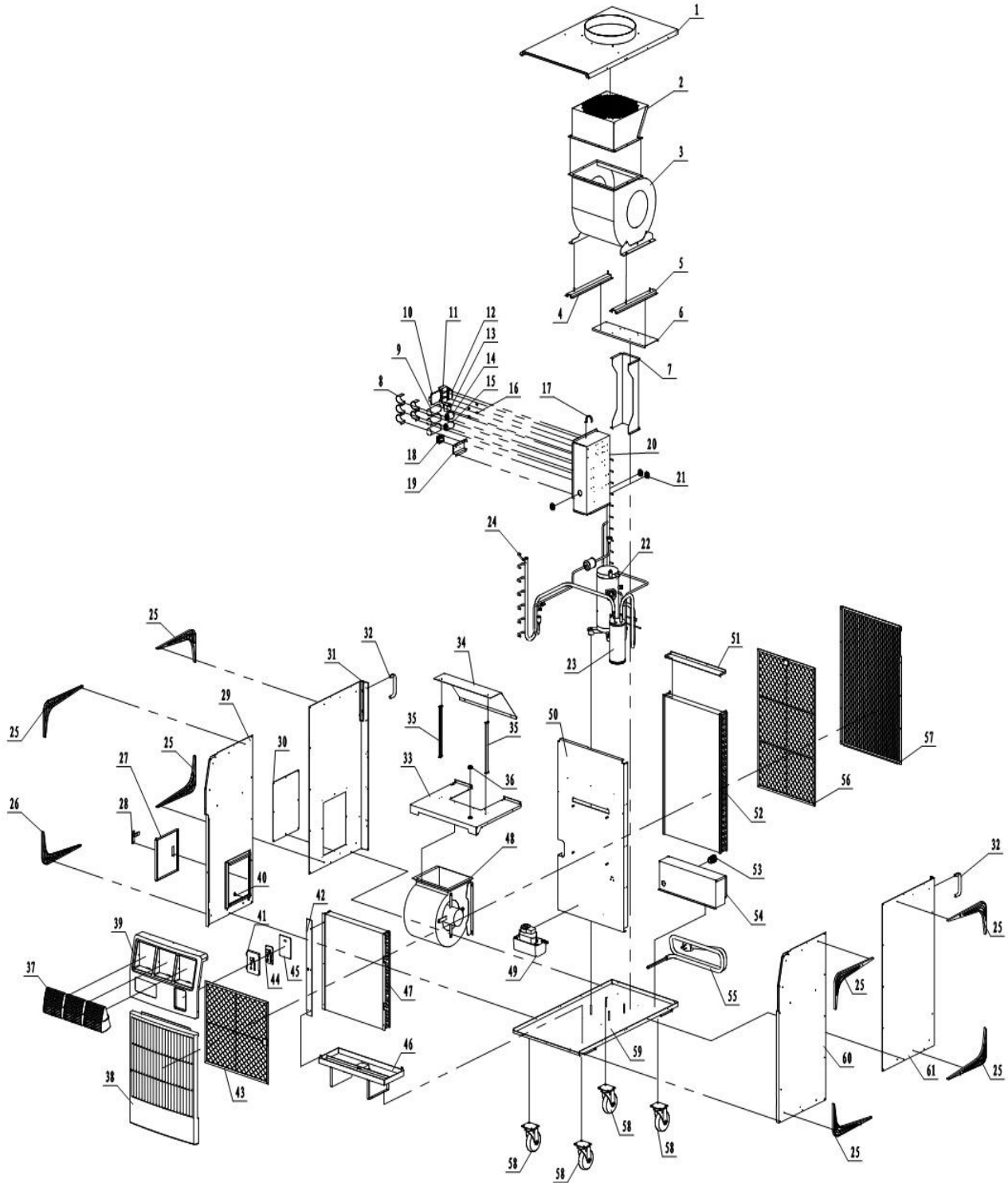
- 1. Place power cord in power cord pocket.**
- 2. Remove all water from condensate pump. Service and clean pump.**
- 3. After cleaning the unit completely dry with scratch resistant cloth.**
- 4. Unit should be operated in fan mode (bring unit to highest set point) to dry for 2-3 hours.**
- 5. Cover unit to prevent dust and humidity.**

TROUBLESHOOTING

Check the following items before calling your ClimaTemp Portable spot air conditioner reseller or a qualified technician.

CONDITION	POSSIBLE CAUSE	REMEDY
Unit does not operate	1. Ground fault breaker trip or breaker trip from power source.	1. Reset breaker or reset power cord GFCI if applicable.
	2. No Power to control board.	2. Check power source.
Water leaking	1. Drain pan port plugged	1. Clear drain pan outlet.
	2. Drain line Misaligned or not seated into pump.	2. Place and secure the drain line back into condensate pump.
	3. Condensate line plugged or clogged.	3. Check drain line for clogs or kinks. Replace if necessary.
	4. Unit not level.	4. Reposition or move unit to a level surface.
No cooling.	1. The surface of the condenser is dirty.	1. Clean (vacuum) the surface of the condenser. Do not use water or coil cleaner.
	2. Exhaust fan malfunction.	2. Repair, replacement of exhaust fan motor.
	3. Temperature of the external environment is too high	3. Use the unit only if surrounding temperature is between 64F and 104F
	4. The capacitor of the compressor is damaged.	4. Replace the capacitor
	5. Input voltage is too high or too low.	5. Make sure voltage is correct.
	6. Compressor thermal overload protection	6. Restart the unit after it has cooled down.
	7. Compressor motor is damaged.	7. Repair, replace Compressor motor if needed.

Parts List Breakdown



Limited Warranty

ClimaTemp Portables Inc. warrants its portable air conditioner products and accessories against defects in material or workmanship. Under ordinary use ClimaTemp will, at its sole discretion, repair or replace any defective product or part covered by this warranty. Warranty coverage is (12) months for all parts on the ClimaTemp product and (36) months on the compressor or compressor components. This warranty is in effect from the date of purchase on any invoicing for the end user. This Limited warranty is conditional on the return of the part or unit to the manufacturer with approval in which all goods and services are freight prepaid from the customer or distributor. This warranty does not cover malfunctions or misuse beyond ClimaTemp's control including improper operation, neglect, abuse, abnormal use, incorrect electrical connections, and failure to perform routine maintenance. Furthermore, ClimaTemp will not be responsible for improper installation that damages unit or components. Any shipping damage or improper transport is not covered under this warranty.

DISCLAIMER OF WARRANTY EXCEPT AS EXPRESSLY PROVIDED IN THIS STANDARD WARRANTY POLICY STATEMENT, CLIMATEMP PORTABLES HEREBY EXPRESSLY DISCLAIMS ALL REPRESENTATIONS, CONDITIONS AND WARRANTIES, WHETHER EXPRESS OR IMPLIED, INCLUDING BY WAY OF EXAMPLE AND NOT LIMITATION, THE IMPLIED WARRANTIES OF TITLE, MERCHANTABILITY, NONINFRINGEMENT AND FITNESS FOR A PARTICULAR PURPOSE. LIMITATION ON LIABILITY NOTWITHSTANDING ANYTHING HEREIN TO THE CONTRARY, IN NO EVENT WILL CLIMATEMP PORTABLES BE LIABLE FOR ANY SPECIAL, INCIDENTAL, PUNITIVE OR CONSEQUENTIAL DAMAGES WHATSOEVER, INCLUDING LOSS OF PROFITS, WHETHER ARISING IN CONTRACT, TORT, WARRANTY OR OTHERWISE, EVEN IF IT HAS BEEN ADVISED OF THE POSSIBILITY OF SUCH DAMAGES. THE LIMITATIONS SET FORTH HERE WILL APPLY EVEN IF THE REMEDIES OF ERROR CORRECTION, REPAIR OR REPLACEMENT, REPERFORMANCE OF SERVICES AND REFUND OF PAYMENTS COMPLETELY FAIL OF THEIR ESSENTIAL PURPOSE. NOTWITHSTANDING ANYTHING HEREIN TO THE CONTRARY, THE LIMIT OF CLIMATEMP PORTABLES (WHETHER IN CONTRACT, TORT, NEGLIGENCE, STRICT LIABILITY, BY STATUTE OR OTHERWISE) TO CUSTOMER OR TO ANY THIRD PARTY WITH RESPECT TO WHICH SUCH CLAIM IS MADE. GOVERNING LAW AND JURISDICTION

ClimaTemp Portables Inc.

844-349-5665

www.Clima-Temp.com

